

**Modular Cooking Range Line
 thermaline 80 - 800 mm Holding
 Cabinet with 2 drawers, GN conform, 1
 Side - H=550**

ITEM # _____

MODEL # _____

NAME # _____

SIS # _____

AIA # _____



588303 (MA0ADAHOBO) Holding Cabinet, with 2 drawers, one-side operated, GN

Short Form Specification

Item No. _____

800 mm wide holding cabinet with 2 drawers, for holding and cooking food. Internal frame for heavy duty sturdiness in stainless steel. Flat surface construction, easily cleanable. Temperature in the cabinet can be set through thermostat, up to a maximum of 120°C. Cabinet storage space accepts GN 1/1 containers, 150mm deep.

IPX5 water resistant certification.

Configuration: One-side operated freestanding base.

Main Features

- All major components may be easily accessed from the front.
- THERMODUL connection system creates a seamless work top when units are connected to each other thus avoiding soil penetrating vital components and facilitating the removal of units in case of replacement or service.
- Unit constructed according to DIN 18860_2 with 70 mm recessed plinth.
- Temperature in the cupboard can be set through a thermostat to suit different requirements. The maximum temperature is 120°C.
- Equipped with a core temperature probe, suitable also for low temperature cooking.
- Unit can be installed below modular top appliances, designed to keep the food warm, with the capability to cook as well.

Construction

- IPX5 water resistance certification.
- 2 mm top in 1.4301 (AISI 304).
- Flat surface construction with minimal hidden areas to easily clean all surfaces
- Storage space in the base of the appliance accepts GN1/1 containers.
- Internal frame for heavy duty sturdiness in stainless steel.

Optional Accessories

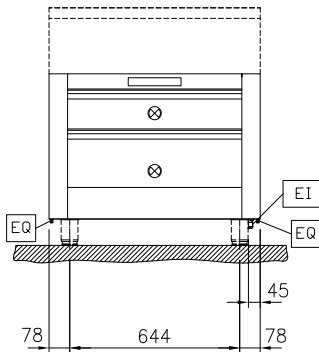
- Stainless steel side panel, 800x800mm, freestanding PNC 912508
- Stainless steel front kicking strip, 800mm width PNC 912598
- Stainless steel side kicking strips left and right, freestanding, 800mm width PNC 912619
- Stainless steel side kicking strips left and right, against the wall, 800mm width PNC 912622
- Stainless steel side kicking strips left and right, back-to-back, 1610mm width PNC 912625
- Stainless steel plinth, against wall, 800mm width PNC 912806
- Stainless steel plinth, freestanding, 800mm width PNC 912825
- Stainless steel panel, 800x800mm, against wall, left side PNC 913094
- Stainless steel panel, 800x800mm, flush-fitting, against wall, right side PNC 913098
- Back panel, 800x550mm, for bases one-side operated PNC 913182

APPROVAL: _____

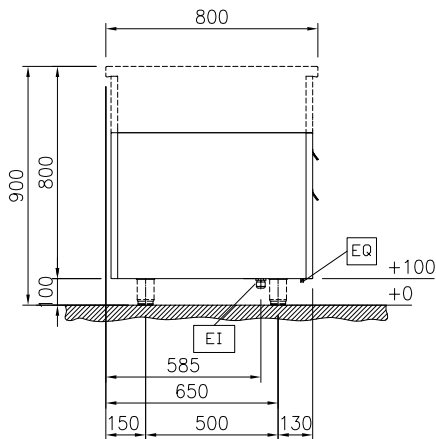


- Stainless steel side panel, left, h=800 PNC 913216
- Stainless steel side panel, right, h=800 PNC 913217
- Side reinforced panel only in combination with side shelf, for freestanding units PNC 913257
- Side reinforced panel only in combination with side shelf for against the wall installations, left PNC 913264
- Side reinforced panel only in combination with side shelf, for against the wall installations, right PNC 913266
- Side reinforced panel only in combination with side shelf, for back-to-back installations, left PNC 913273
- Side reinforced panel only in combination with side shelf, for back-to-back installation, right PNC 913274
- Stainless steel dividing panel, 800x800mm, (it should only be used between Electrolux Professional thermaline Modular 80 and thermaline C80) PNC 913669
- Stainless steel side panel, 800x800mm, flush-fitting (it should only be used against the wall, against a niche and in between Electrolux Professional thermaline and ProThermetic appliances and external appliances - provided that these have at least the same dimensions) PNC 913685

Front

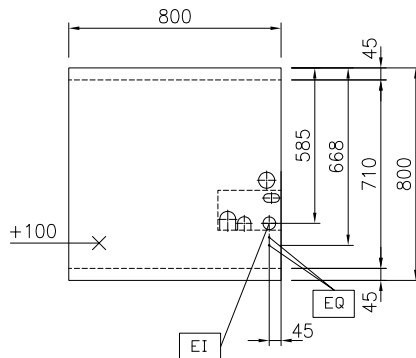


Side



EI = Electrical inlet (power)

Top



Key Information:

External dimensions, Width:	
588303 (MA0ADAHOBO)	800 mm
External dimensions, Depth:	800 mm
External dimensions, Height:	550 mm
Cupboard Cavity Dimensions (width):	650 mm
Cupboard Cavity Dimensions (height):	325 mm
Cupboard Cavity Dimensions (depth):	530 mm
Cabinet temperature range:	30-120 °C
Net weight:	44 kg

Sustainability

Current consumption:	4.35 Amps
----------------------	-----------